



Ventilation Blowers 09

Introduction

Heavy Duty Radial Blowers

Radial Blowers


In-Line Blowers




09 Ventilation Blowers

PRODUCT SELECTION


Heavy Duty Radial Blowers

Heavy Duty Flangemount Blowers	Model	Details	Ducting Size	Volume	Size (length x width x height)	Weight	Voltage
	35760-0092	12 volt DC flangemount, fuse 15 amp.	4" (100mm)	2.5-5m ³ (90-220ft ³)	9½" l x 8¾" x 9" (24cm x 22cm x 23cm)	6lb (2.7kg) DC 8lb (3.6kg) AC	12V
	35760-0094	24 volt DC flangemount, fuse 10 amp.					24V
	36760-0115*	115 volt AC 60Hz flangemount, fuse 2 amp.					115V


Heavy Duty Flexmount Blowers	Model	Details	Ducting Size	Volume	Size (length x width x height)	Weight	Voltage
	35760-0092	12 volt DC flangemount, fuse 15 amp.	4" (100mm)	2.5-5m ³ (90-220ft ³)	9½" x 8¾" x 9" (24cm x 22cm x 23cm)	6lb (2.7kg) DC 8lb (3.6kg) AC	12V
	35760-0094	24 volt DC flangemount, fuse 10 amp.					24V
	36760-0115*	115 volt AC 60Hz flangemount, fuse 2 amp.					115V

Radial Blowers

Flangemount Blowers	Model	Details	Ducting Size	Volume	Size (length x width x height)	Weight	Voltage	Output
	35115-0020	12 volt DC flangemount, fuse 6 amp.	3" (75mm)	0-2m ³ (0-75ft ³)	6¾" x 4¾" x 5½" (17cm x 12cm x 14cm)	4lb (1.8kg)	12V	For 105cfm (3m ³ /min) output
	34739-0010	12 volt DC flangemount, fuse 10 amp.	3" (75mm)	2-2.5m ³ (75-90ft ³)	8" x 6¾" x 7¾" (20cm x 17cm x 20cm)	5lb (2.3kg)	12V	For 150cfm (4.2m ³ /min) output
	34739-0020	24 volt DC flangemount, fuse 5 amp.	3" (75mm)	2-2.5m ³ (75-90ft ³)	8" x 6¾" x 7¾" (20cm x 17cm x 20cm)	5lb (2.3kg)	24V	For 150cfm (4.2m ³ /min) output
	35400-0000	12 volt DC flangemount, fuse 15 amp.	4" (100mm)	2.5-5m ³ (90-220ft ³)	8¾" x 8¾" x 9" (22cm x 22cm x 23cm)	6lb (2.7kg)	12V	For 250cfm (7.1m ³ /min) output
	35400-0010	24 volt DC flangemount, fuse 7.5 amp.	4" (100mm)	2.5-5m ³ (90-220ft ³)	8¾" x 8¾" x 9" (22cm x 22cm x 23cm)	6lb (2.7kg)	24V	For 250cfm (7.1m ³ /min) output

Flexmount Blowers	Model	Details	Ducting Size	Volume	Size (length x width x height)	Weight	Voltage	Output
	35515-0010	12 volt DC flexmount, fuse 6 amp.	3" (75mm) ducting	0-2m ³ (0-75ft ³)	6¾" x 5" x 5½" (17cm x 13cm x 14cm)	3½lb (1.6kg)	12V	For 105cfm (3m ³ /min) output
	36740-0031	115 volt AC flexmount, fuse 1.25 amp.	3" (75mm) ducting	0-2m ³ (0-75ft ³)	8¼" x 7¾" x 9" (21cm x 20cm x 23cm)	5lb (2.3 kg)	115V	For 140cfm (4m ³ /min) output
	36740-0000	12 volt DC flexmount, fuse 10 amp.	3" (75mm) ducting	2-2.5m ³ (75-90ft ³)	8" x 8¼" x 9" (20cm x 21cm x 23cm)	5½lb (2.5kg)	12V	For 150cfm (4.2m ³ /min) output
	36740-0010	24 volt DC flexmount, fuse 5 amp.	3" (75mm) ducting	2-2.5m ³ (75-90ft ³)	8" x 8¼" x 9" (20cm x 21cm x 23cm)	5½lb (2.5kg)	12V	For 150cfm (4.2m ³ /min) output
	35440-0000	12 volt DC flexmount, fuse 15 amp.	4" (100mm) ducting	2.5-5m ³ (90-220ft ³)	9½" x 9¾" x 9½" (23.2cm x 23.4cm x 24.5cm)	7lb (3.2kg)	12V	For 250cfm (7.1m ³ /min) output
	35440-0010	24 volt DC flexmount, fuse 7.5 amp.	4" (100mm) ducting	2.5-5m ³ (90-220ft ³)	9½" x 9¾" x 9½" (23.2cm x 23.4cm x 24.5cm)	7lb (3.2kg)	24V	For 250cfm (7.1m ³ /min) output

In-Line Blowers

In-line Blowers	Model	Details	Ducting Size	Volume	Size (length x width x height)	Weight	Voltage	Output
	140	13.6 volt, fuse 4 amp.	3" (75mm) ducting	0-75ft ³ (0-2m ³)	5" x 3" x 33/16" (12.7cm x 7.6cm x 8.1cm)	1.2lb (0.55kg)	12v	0-75ft ³ (0-2m ³)
	140-24v	27.2 volt, fuse 2.5 amp.	3" (75mm) ducting	0-75ft ³ (0-2m ³)	5" x 3" x 33/16" (12.7cm x 7.6cm x 8.1cm)	1.2lb (0.55kg)	24v	0-75ft ³ (0-2m ³)
	140	13.6 volt, fuse 4 amp.	3" (75mm) ducting	75-90ft ³ (2.5-5m ³)	5" x 3" x 33/16" (12.7cm x 7.6cm x 8.1cm)	1.2lb (0.55kg)	12v	75-90ft ³ (2.5-5m ³)
	240-24v	27.2 volt, fuse 2.5 amp.	3" (75mm) ducting	90-220ft ³ (2.5-5m ³)	5" x 3" x 33/16" (12.7cm x 7.6cm x 8.1cm)	1.28lb (0.58kg)	24v	75-90ft ³ (2.5-5m ³)
	240	13.6 volt, fuse 4 amp.	4" (100mm) ducting	90-220ft ³ (2.5-5m ³)	6" x 4" x 43/16" (15.2cm x 10.2cm x 10.6cm)	1.28lb (0.58kg)	12v	90-220ft ³ (5-67m ³)
	240-24v	27.2 volt, fuse 2.5 amp.	4" (100mm) ducting	90-220ft ³ (2.5-5m ³)	6" x 4" x 43/16" (15.2cm x 10.2cm x 10.6cm)	1.28lb (0.58kg)	12v	90-220ft ³ (5-67m ³)

This guide is based on International Standard ISO 11105 for small craft - ventilation of gasoline engine and/or gas tank compartments which specifies minimum airflow for given engine compartment size.

09 Ventilation Blowers

INTRODUCTION

The JABSCO logo consists of the word "JABSCO" in white, bold, sans-serif capital letters, set against a blue background that is shaped like a right-pointing arrow.

Jabsco DC blowers are designed to remove fumes from the engine compartments of gasoline powered boats prior to start-up and therefore conform to ISO 8846 MARINE and USCG Regulations for ignition protection. They are listed as N.M.M.A. type accepted and comply with ISO 9097 MARINE and are CE marked. AC models are not ignition protected.

Jabsco blowers can also be used for air intake or extraction in galleys, bilges, accommodation and head compartments. Only the heavy duty blowers are designed for continuous duty operation in commercial or heavy use applications. Blowers should not be installed close to sources of direct heat exceeding 180°F (55°C).

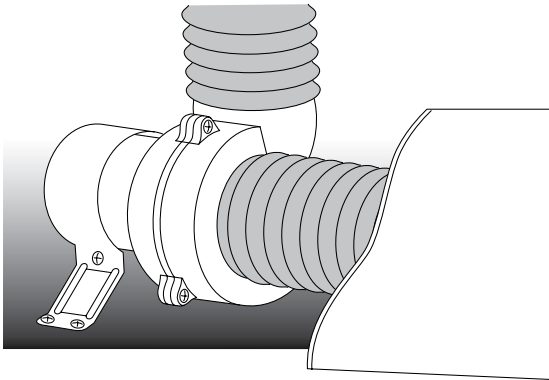
Flangemount Blowers

Flangemount Blowers are of a radial design which gives the highest output in more complex installations with longer ducting lengths and/or multiple bends in the ducting. They are generally mounted directly onto a flat bulkhead using a mounting collar to connect to the discharge ducting. This allows a very neat installation on an engine room bulk head.

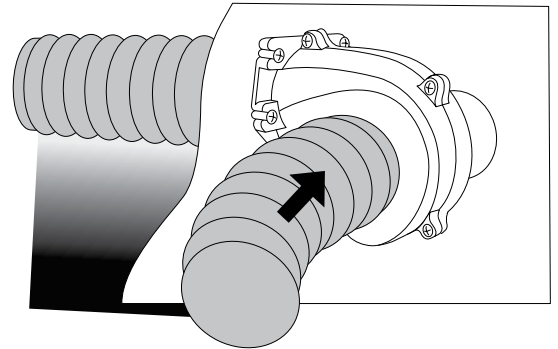
Flexmount Blowers

Flexmount Blowers are also of radial design but are installed by attaching a mounting collar around the motor (which is supplied with the blower) to any convenient solid surface. They can be rotated inside the collar to allow the shortest ducting lengths and most convenient routings in confined spaces. Both ports are designed for slip-on flexible ducting connections.

Flangemount Blowers



Flexmount Blowers



Heavy Duty Flangemount Blowers

Heavy Duty Blowers are designed for applications such as commercial or high use engine room ventilation and extraction where a long life requirement demands heavy duty motors with long brush life. Built to provide the same high outputs as our standard specification blowers.

- 5,000 hr motor life for the heaviest of applications.
- Continuous duty.
- Efficient high volume air flow.
- Outlet flange mounts directly on bulkhead.
- Slip on inlet ducting connection.
- Low current draw.
- Corrosion resistant materials throughout.
- Dimensionally stable quiet running Delrin rotors.
- Complies with USCG 183.410 and ISO 8846 MARINE (Ignition Protection) - DC only. ISO 9097 MARINE (Electric Fans).



FITTING	4" (100mm) ducting.
SIZE	9½" long x 8¾" wide x 9" high (24cm x 22cm x 23cm).
WEIGHT	6lb (2.7kg) DC. 8lb (3.6kg) AC.

For 250cfm (7.1m3/min) output - 12, 24, 115V.

35760-0092
12 volt DC flangemount, fuse 15 amp.
35760-0094
24 volt DC flangemount, fuse 10 amp.
36760-0115*
115 volt AC 60Hz flangemount, fuse 2 amp.

*Not available in Europe.

Heavy Duty Flexmount Blowers

Flexmount Blowers are built to the same high specification as the Heavy Duty Flangemount Blowers for use as air intake or extraction systems in engine rooms, fuel compartments, galleys or heads.

- 5,000 hr motor life for the heaviest of applications.
- Continuous duty.
- Efficient high volume air flow.
- Flex mounting for 360° adjustable outlet.
- Slip on inlet ducting connections.
- Low current draw.
- Corrosion resistant materials throughout.
- Dimensionally stable quiet running Delrin rotors.
- Complies with USCG 183.410 and ISO 8846 MARINE (Ignition Protection) - DC only.
- ISO 9097 MARINE (Electric Fans).



FITTING	4" (100mm) ducting.
SIZE	9" long x 9½" wide x 9¾" high (23cm x 24cm x 25cm).
WEIGHT	7lb (3.2kg) DC. 9lb (4.1kg) AC.

For 250cfm (7.1m3/min) output - 12, 24, 115V.

35770-0092
12 volt DC flexmount, fuse 15 amp.
35770-0094
24 volt DC flexmount, fuse 10 amp.
36770-0115*
115 volt AC 60Hz flexmount, fuse 2 amp.

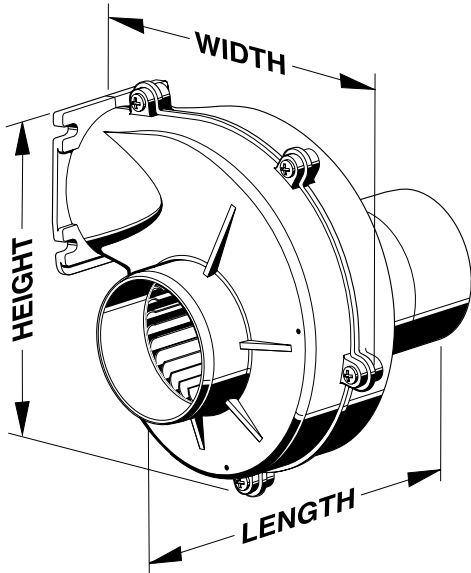
*Not available in Europe.

09 Ventilation Blowers

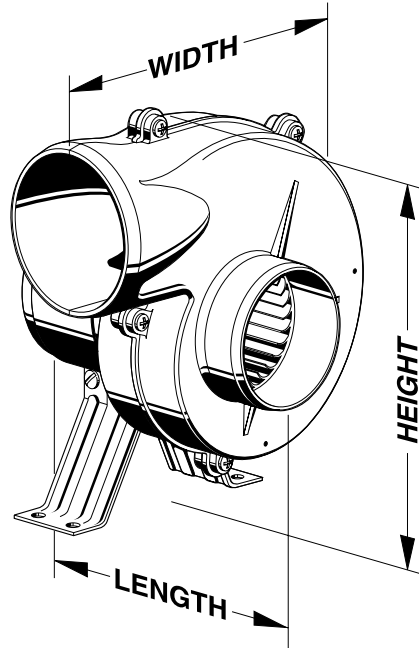
RADIAL BLOWERS



Sizing Definitions



Flexmount



Flangemount

Flangemount Blowers



Range of high volume air intake or extraction blowers for engine room, fuel compartment, galley or heads.

- Outlet flange mounts directly on bulkhead.
- Slip-on inlet ducting connection.
- Low current draw.
- Dimensionally stable quiet running Delrin rotors.
- Corrosion resistant materials throughout.
- Complies with USCG 183.410 and ISO 8846 MARINE (Ignition Protection).
- ISO 9097 MARINE (Electric Fans).

For 105cfm

FITTING	3" (75mm) ducting.
SIZE	6¾" long x 4¾" wide x 5½" high (17cm x 12cm x 14cm).
WEIGHT	4lb (1.8kg).
VOLUME	(3m3/min) output.

35115-0020
12 volt DC flangemount, fuse 6 amp.

For 150cfm

FITTING	3" (75mm) ducting.
SIZE	8" long x 6¾" wide x 7¾" high (20cm x 17cm x 20cm).
WEIGHT	5lb (2.3kg).
VOLUME	(4.2m3/min) output.

34739-0010 12 volt DC flangemount, fuse 10 amp.	34739-0020 24 volt DC flangemount, fuse 5 amp.
---	--

For 250cfm

FITTING	4" (100mm) ducting.
SIZE	8¾" long x 8¾" wide x 9" high (22cm x 22cm x 23cm).
WEIGHT	6lb (2.7kg).
VOLUME	(7.1m3/min) output.

35400-0000 12 volt DC flangemount, fuse 15 amp.	35400-0010 24 volt DC flangemount, fuse 7.5 amp.
---	--

Flexmount Blowers

Range of high volume air intake or extraction blowers for engine room, fuel compartment, galley or heads.

- Flexmounting for 360° adjustable outlet.
- Slip-on inlet and outlet ducting connections.
- Low current draw.
- Dimensionally stable, quiet running Delrin rotors.
- Corrosion resistant materials throughout.
- Complies with USCG 183.410 and ISO 8846 MARINE (Ignition Protection).
- ISO 9097 MARINE (Electric Fans).



For 105cfm

FITTING	3" (75mm) ducting.
SIZE	6 3/4" long x 5" wide x 5 1/2" high (17cm x 13cm x 14cm).
WEIGHT	3 1/2lb (1.6kg).
VOLUME	(3m3/min) output.

35515-0010
12 volt DC flexmount, fuse 6 amp.

For 140cfm

FITTING	3" (75mm) ducting.
SIZE	8 1/4" long x 7 3/4" wide x 9" high (21cm x 20cm x 23cm).
WEIGHT	5lb (2.3 kg)
VOLUME	(4.0m3/min) output.

36740-0031
115 volt AC flexmount, fuse 1.25 amp.

For 150cfm

FITTING	3" (75mm) ducting.
SIZE	8" long x 8 1/4" wide x 9" high (20cm x 21cm x 23cm).
WEIGHT	5 1/2lb (2.5kg).
VOLUME	(4.2m3/min) output.

36740-0000
12 volt DC flexmount,
fuse 10 amp.

36740-0010
24 volt DC flexmount,
fuse 5 amp.

For 250cfm

FITTING	4" (100mm) ducting.
SIZE	9 1/8" long x 9 3/8" wide x 9 5/8" high (23.2cm x 23.4cm x 24.5cm).
WEIGHT	7lb (3.2kg).
VOLUME	(7.1m3/min) output.

35440-0000
12 volt DC flexmount,
fuse 15 amp.

35440-0010
24 volt DC flexmount,
fuse 7.5 amp.

In-line Blowers

Rule® In-line Blowers provide ventilation for bilges, engine compartments, galleys and heads. Designed for efficient, high output operation, these blowers feature our exclusive front and rear shaft seals and corrosion resistant motor housings for long life. Compact and easily installed on any flat surface, Rule® In-line Blowers provide higher air flow and lower amp draw.



- Efficient high volume air flow.
- Quiet operation.
- Low amp draw.
- Slip on inlet and outlet ducting connections.
- Sealed motor shaft for moisture protection.
- Corrosion resistant nickel plated motor housing.
- ABYC - H2; ISO 9097.
- IMCI (CE).
- N.M.M.A. type accepted.
- USCG 183.410 Compliant; Ignition protected.

FITTING	3" (75mm) ducting.
SIZE	5" long x 3" wide x 3 3/8" high (12.7cm x 7.6cm x 8.1cm)
WEIGHT	1.2lb 0.55kg

140
13.6 volt, fuse 4 amp.

140-24v
27.2 volt, fuse 2.5 amp.

FITTING	4" (100mm) ducting
SIZE	6" long x 4" wide x 4 3/8" high (15.2cm x 10.2cm x 10.6cm)
WEIGHT	1.28lb 0.58kg

240
13.6 volt, fuse 4 amp.

240-24v
27.2 volt, fuse 2.5 amp.

