

The market leader in Submersible Marine Pumps

Submersible Pumps



Livewell/Baitwell Pumps 03

Livewell/Baitwell Pumps


Livewell/Aerator





03 Livewell / Baitwell Pumps


SELECTION GUIDE

Livewell / Baitwell Pumps


Tournament Series Bronze Base	Model	Details	Fitting	Flow gph (lph)	Discharge Outlet	Volts	NPT Female Intake
	209B	Bronze Base.	Call for more information.	1600 (6054)	1 1/8" (29mm) discharge outlet	12 volt DC	Call for more information.


Tournament Series Dual Port	Model	Details	Fitting	Flow gph (lph)	Discharge Outlet	Volts	NPT Female Intake
	209FDP	Dual Port.	Call for more information.	1600 (6054)	1 1/8" discharge outlet	12 volt DC	1"


Gentle-Flow™ Oxygenator	Model	Details	Fitting	Flow gph (lph)
	255	Ideal for 25lbs (11kg) of bait.	Call for more information.	700 (2650)


Fish Box Evacuation Pump	Model	Details	Fitting	Flow gpm (lpm)	Volts
	50900-1000	12 volt DC model, fuse 10 amp.	Gentle-Flow™ Oxygenator	5 (19)	12 volt DC
	50900-1100	24 volt DC model, fuse 5 amp.			24 volt DC
	SK900	Service Kit.			


Livewell /Aerator

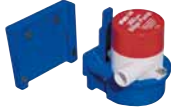
"C" Series Tournament Series™ Angled Inlet	Model	Details	Flow gph (lph)	Volts
	401C	3/4" (19mm) discharge hose, fuse 2.5 amp.	500 (1893)	12 volt DC
	403C	3/4" (19mm) discharge hose, fuse 5 amp.	800 (3028)	12 volt DC
	405C	1 1/8" (29mm) discharge hose, fuse 6 amp.	1100 (3685)	12 volt DC


"STC" Series Tournament Series™ Straight Inlet	Model	Details	Flow gph (lph)	Volts
	401STC	3/4" (1.9cm) discharge hose, fuse 2.5 amp.	500 (1893)	12 volt DC
	403STC	3/4" (1.9cm) discharge hose, fuse 5 amp.	800 (3028)	12 volt DC
	405STC	1 1/8" (2.9cm) discharge hose, fuse 6 amp.	1100 (3685)	12 volt DC

"FC" Series Tournament Series™ Seacock Inlet	Model	Details	Flow gph (lph)	Volts
	401FC	3/4" (1.9cm) discharge hose, fuse 2.5 amp.	500 (1893)	12 volt DC
	403FC	3/4" (1.9cm) discharge hose, fuse 5 amp.	800 (3028)	12 volt DC
	405FC	1 1/8" (2.9cm) discharge hose, fuse 6 amp.	1100 (4162)	12 volt DC

Replacement Motor Cartridges	Model	Details	Flow gph (lph)	Amps
	45DR	45DR, fuse 2.5 amp.	500 (1893)	2.5 Amp
	46DR	46DR, fuse 5 amp.	800 (3028)	5 Amp
	47DR	47DR, fuse 6 amp.	1100 (4162)	6 Amp

Rule Oxygenator Systems	Model	Details	Flow gph	Volts
	250	Oxygenator System - ideal for 10lbs (5kg) of bait.	500	12 volt DC
	251	Oxygenator System - ideal for 25lbs (11kg) of bait.	800	
	252	Oxygenator System - ideal for 50lbs (23kg) of bait.	1100	

Transom Mount Livewell Pumps	Model	Details	Flow gph (lph)	Volts
	24TB	Mounted aerator pump with strainer base assembly.	360 (1363)	12 volt DC
	25DTB		500 (1893)	
	20RTB		800 (3028)	
	27DTB		1100 (4162)	
	265	Bracket Only.		

Replacement Motor Cartridges Original Pro-Series™ Livewell Pumps	Model	Details	Flow gph (lph)	Volts
	25DR	Replacement Motor Cartridge.	500 (1893)	12 volt DC
	20RR		700 (2650)	
	27DR		1100 (4162)	

03 Livewell / Baitwell Pumps

INTRODUCTION

Livewell / Baitwell Pumps

The Livewell/Baitwell pumps are built on Rule's unsurpassed quality and leadership in pump design and technology. The innovative design includes many new and exciting features including: a quick, one hand "push button" motor cartridge removal system, patented rotatable base that allows you to position the discharge nozzle at any location and threaded nylon hose barb attachments which allow for various hose mounting options.

Other features include a built-in dual port option, water-cooled housing and positive snap motor cartridge locking mechanism.

Pumps are available in 500 GPH, 800 GPH and 1100 GPH, plus 1600 GPH non cartridge models, and are fitted for transom or seacock mounting options.

Tips on selecting a Livewell Pump

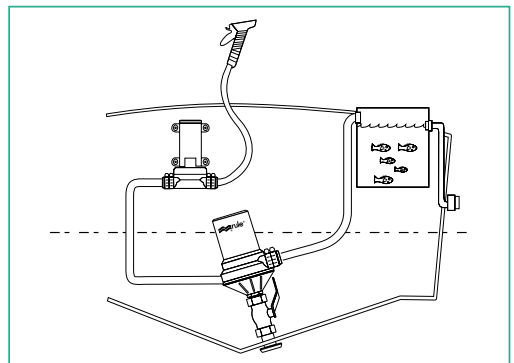
- Always select a pump that will deliver enough water to replace Livewell water every 10 minutes.
- Bigger is not better—too much pump capacity could lead to air locks.
- Mount the pump as low and close to the hull as possible.

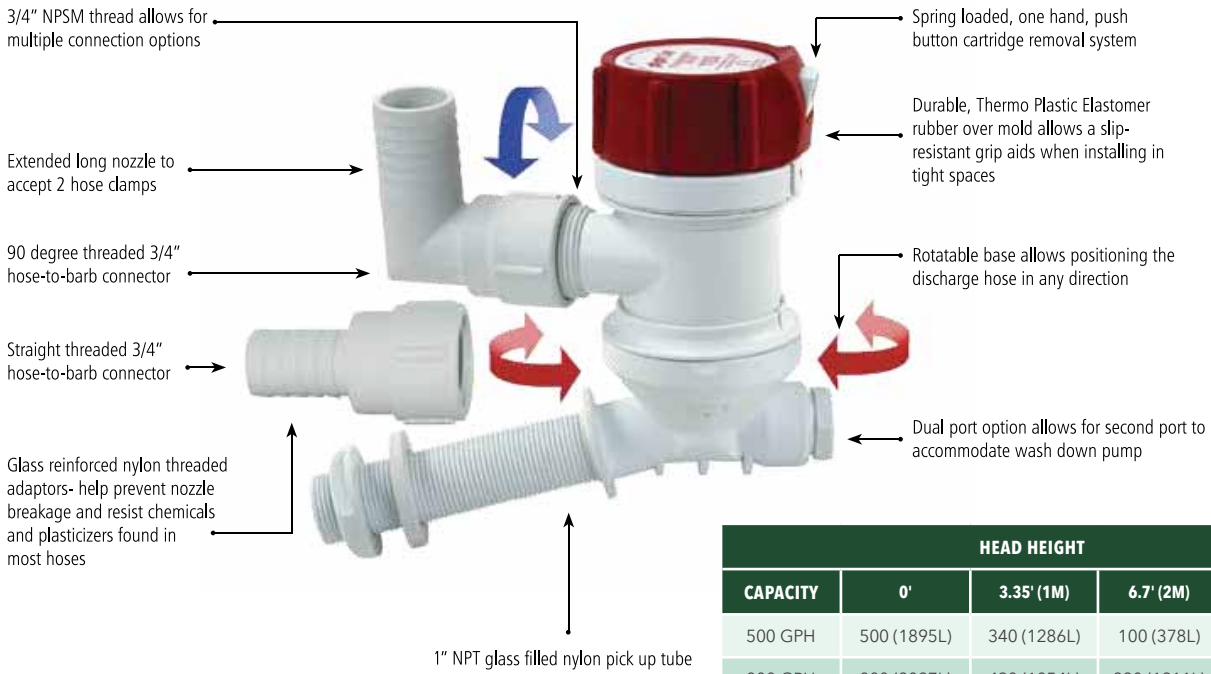
"C" series with 4" (102mm) angled pick up tube for thru hull applications.

"STC" series with 4¾" (121mm) straight pick up tube for thru hull applications.

"FC" series with 1" (25mm) pick up tube for seacock applications.

Note: High speed water intake scoops can damage the pump and possibly flood the hull.





CAPACITY	HEAD HEIGHT			DISCHARGE OUTPUT
	0'	3.35' (1M)	6.7' (2M)	
500 GPH	500 (1895L)	340 (1286L)	100 (378L)	3/8"
800 GPH	800 (3027L)	490 (1854L)	320 (1211L)	3/8"
1100 GPH	1100 (4162L)	790 (2989L)	480 (1816L)	1 1/8"
1600 GPH	1600 (6056L)	1200 (4542L)	760 (2876L)	1 1/8"
1100 (4164)	RM1100A	-	12DC	-

Tournament Series Bronze Base 1600 G.P.H (6054 L.P.H.) Livewell Pump

Designed for the toughest applications the Tournament Series pump is the highest capacity Livewell pump in today's market. Pump features a bronze base, Anti-Airlock feature, and a heavy duty long life motor. 1" (25mm) NPT female intake and 1 1/8" (29mm) discharge outlet. 12 volt DC.



209B
1600 GPH (6054 LPH) Bronze Base.

FLOW	1600 GPH (6054 LPH)
DISCHARGE OUTLET	1 1/8" (29mm) discharge outlet
FITTING	Call for more information
VOLTS	12 volt DC
NPT FEMALE INTAKE	1" (25mm) NPT female intake

Tournament Series Dual Port 1600 G.P.H (6054 L.P.H.) Livewell Pump

Engineered to withstand the rigors of tournament fishing the Tournament Series pump is the highest capacity Livewell pump in today's market.

This model features a glass filled nylon dual port base for optional washdown pump connection, Anti-Airlock feature and a heavy duty long life motor. The pump has a 1" NPT female intake, 1 1/8" discharge outlet and a 1/2" NPT threaded port for washdown installation. 12 volt DC.



209FDP
1600 GPH (6054 LPH) Dual Port.

FLOW	1600 GPH (6054 LPH)
DISCHARGE OUTLET	1 1/8" discharge outlet
FITTING	Call for more information
VOLTS	12 volt DC
NPT FEMALE INTAKE	1" NPT female intake

03 Livewell / Baitwell Pumps

LIVEWELL / AERATOR



Gentle-Flow™ Oxygenator

Designed with the patented infuser technology and a Gentle-Flow directional discharge, the Rule Gentle-Flow™ Oxygenator is the ideal system for keeping bait and catch alive and healthy. The patented infuser technology introduces air into the base of the Livewell pump through the air control centre producing millions of micro-fine bubbles. Because the bubbles are so small, they remain suspended in the water longer, providing more aeration to your delicate bait and catch. Designed to fit almost any custom tank. Kits come complete with a pump, directional discharge, intake strainer, hose and intake valve.



255

700 GPH (2650 LPH) ideal for 25lbs (11kg) of bait.

Fish Box Evacuation Pump

The new fish box evacuation pump is perfect for emptying a fish box, easily passing debris such as bait residue, particles of ice and fish scales that is often left after a days fishing.

- Self-priming up to 10ft (3m).
- Capable of extensive dry running.
- Compact and simple design.
- Quiet running.
- Flexible Installation.
- Corrosion resistant parts.
- Complies with USCG 183.410 and ISO 8846 MARINE (Ignition Protection).
- ISO 8849 MARINE (Bilge Pump Standard).



FLOW	5 gpm (19 lpm)
FITTING	Connections for 1½" (38mm) and 1" (25mm) ID hose.
SIZE	10.9" long x 6.1" wide x 4.4" high (27.7cm x 15.5cm x 11.1cm).
WEIGHT	6lb (2.7kg).
VOLTS	12v DC -24v DC
NPT FEMALE INTAKE	1" (25mm) NPT female intake

50900-1000
12 volt DC model, fuse
10 amp.

50900-1100
24 volt DC model, fuse
5 amp.

SK900
Service Kit.

“C” Series Tournament Series™ Angled Inlet

For Thru-Hull Applications Angled 4" (102mm) Pickup Tube. 12 volt DC.



- 401C**
500 GPH (1893 LPH), 3/4" (19mm) discharge hose, fuse 2.5 amp.
- 403C**
800 GPH (3028 LPH), 3/4" (19mm) discharge hose, fuse 5 amp.
- 405C**
1100 GPH (3785 LPH), 1 1/8" (29mm) discharge hose, fuse 6 amp.

“STC” Series Tournament Series™ Straight Inlet

For Thru-Hull Applications Straight 4 3/4" (121mm) Pickup Tube. 12 volt DC.



- 401STC**
500 GPH (1893 LPH), 3/4" (19mm) discharge hose, fuse 2.5 amp.
- 403STC**
800 GPH (3028 LPH), 3/4" (19mm) discharge hose, fuse 5 amp.
- 405STC**
1100 GPH (3785 LPH), 1 1/8" (29mm) discharge hose, fuse 6 amp.

“FC” Series Tournament Series™ Seacock Inlet

For Seacock Applications Straight 3/4" (19mm) Tube with Tapered Threads. 12 volt DC.



- 401FC**
500 GPH (1893 LPH), 3/4" (19mm) discharge hose, fuse 2.5 amp.
- 403FC**
800 GPH (3028 LPH), 3/4" (19mm) discharge hose, fuse 5 amp.
- 405FC**
1100 GPH (4162 LPH), 1 1/8" (29mm) discharge hose, fuse 6 amp.

Replacement Motor Cartridges

Replacement Motor Modules for all Tournament Series™ Aerator Pumps.



Note
Can't be used on the Pro Series

- 45DR**
500 GPH (1893 LPH), fuse 2.5 amp.
- 46DR**
800 GPH (3028 LPH), fuse 5 amp.
- 47DR***
1100 GPH (4162 LPH), fuse 6 amp.

*47DR is only suitable for model no: 405C, 405STC & 405FC

03 Livewell / Baitwell Pumps

LIVEWELL / AERATOR

Rule Oxygenator Systems

High performance live-bait aerators keep bait and catch alive and healthy in a smaller amount of water. Air is infused with the water at the pump impeller, then millions of micro-fine bubbles are produced and sent gently out of the pump into the Livewell. Because the bubbles are so fine, they remain suspended in the water longer and more aeration is provided for your delicate bait and catch. 12 volt DC.

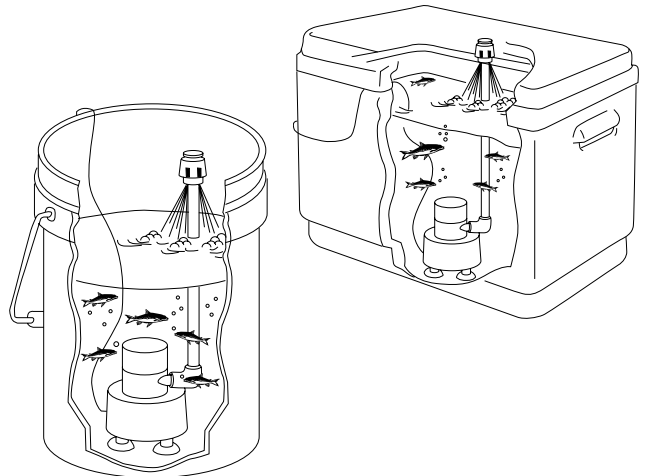
- 250**
500 GPH Oxygenator System - ideal for 10lbs (5kg) of bait.
- 251**
800 GPH Oxygenator System - ideal for 25lbs (11kg) of bait.
- 252**
1100 GPH Oxygenator System - ideal for 50lbs (23kg) of bait.



Portable Aerator Kit

Aerates from 5 to 30 gallons (19 to 113 liters) of water. The Rule 460 GPH (1741 LPH) pump attaches easily to any non-porous surface. 9" (229mm) long spray tube can be custom cut to fit into any container. A fully adjustable spray head increases or reduces flow of water. Foam filtration system keeps water sparkling clean. The kit also includes battery clips for easy attachment to your 12 volt power source. 12 volt DC.

202K



Transom Mount Livewell Pumps

Rule introduces a lineup of Transom Mounted Aerator Pumps. This allows the fisherman to have professional aeration of his Livewell without the need to install a pump through the hull. The unique "quickrelease" pump with strainer base assembly snaps easily into the transom bracket provided. At the end of the day, the pump can be removed for storage. Pumps feature 6' (1.8m) wire leads. 12 volt DC.

- 24TB**
360 GPH (1363 LPH).
- 25DTB**
3500 GPH (1893 LPH).
- 20RTB**
800 GPH (3028 LPH).
- 27DTB**
1100 GPH (4162 LPH).
- 265**
Bracket Only.



Replacement Motor Cartridges Original Pro-Series™ Livewell Pumps

Replacement motor cartridges for Rule Cartridge Bilge pumps and Livewell/Aerator pumps. 12 volt DC.

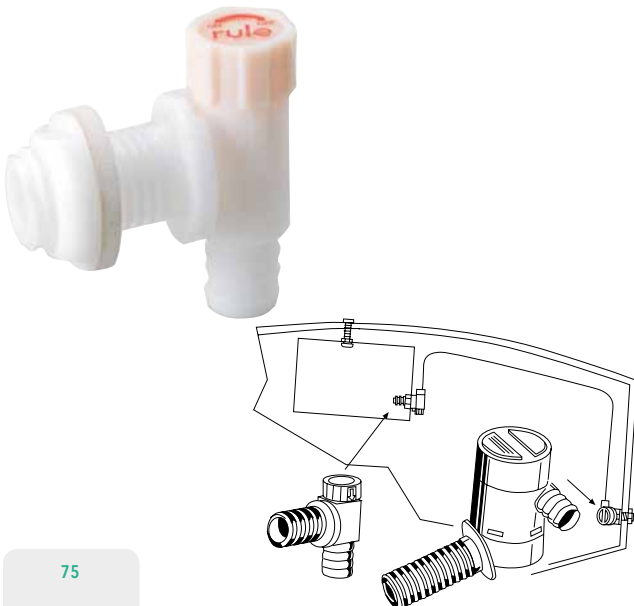


Note
Not to be used with
tournamentseries

- 25DR**
Replacement Motor
Cartridge 500 gph (1893
lph).
- 20RR**
Replacement Motor
Cartridge 700 gph (2650
lph).
- 27DR**
Replacement Motor
Cartridge 1100 gph
(4162 lph).

Variable Flow Control

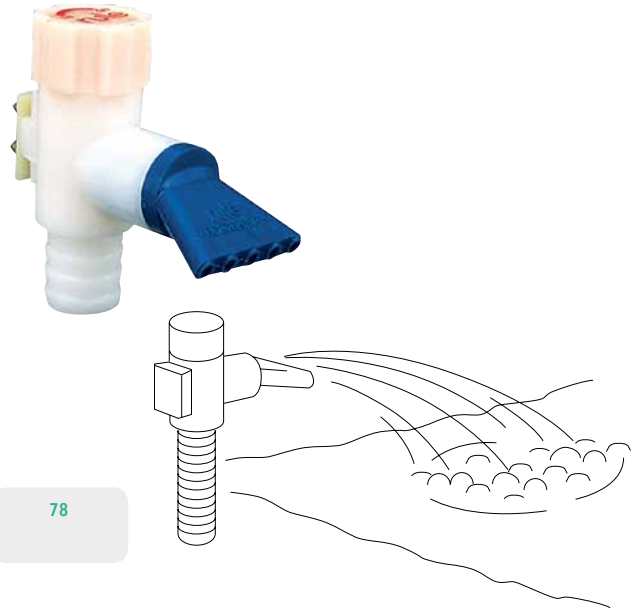
The Variable Flow Control Valve allows increases and decreases of flow with no damage at all to the pump. Range includes fully open flow to zero flow.



75

Oxygenator Spray Head

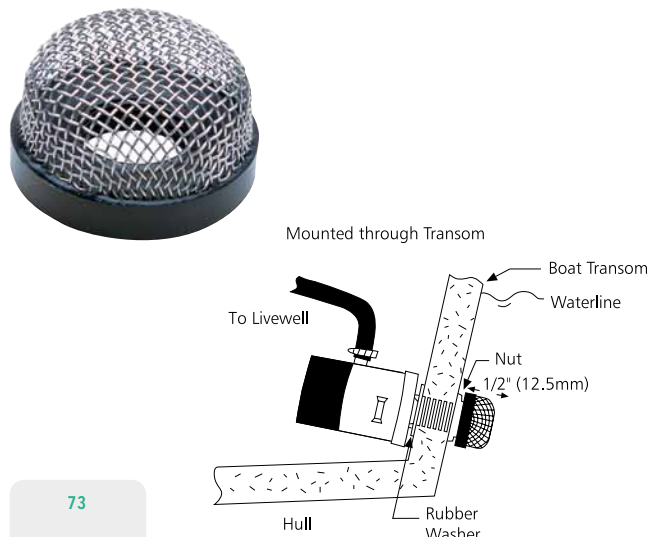
Rule's Oxygenator spray head sprays streams of water back into the livewell tank enriching the water with oxygen. Adjustable spray head allows you to increase or decrease flow of water. For use with 3/4" (19mm) hose.



78

Livewell Pump Debris Strainer

The Livewell Pump Debris Strainer attaches directly to any pickup tubes on Rule Livewell Pumps. Filters out trash and debris which could clog pump. Stainless steel wire mesh, 3/4" (19mm) female NPSM threads.



73